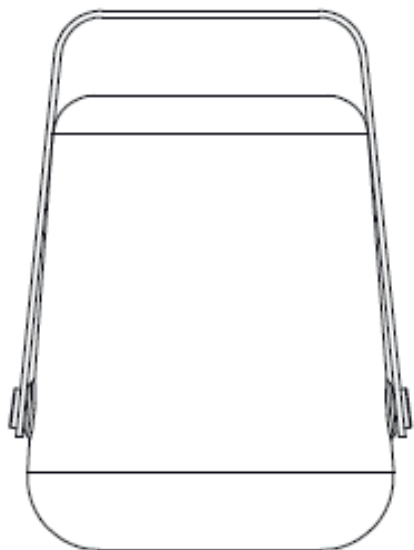
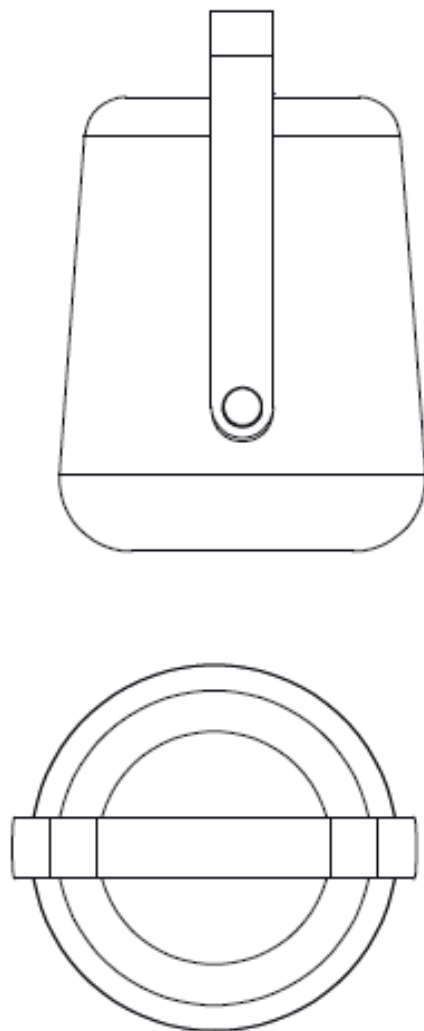


Content:

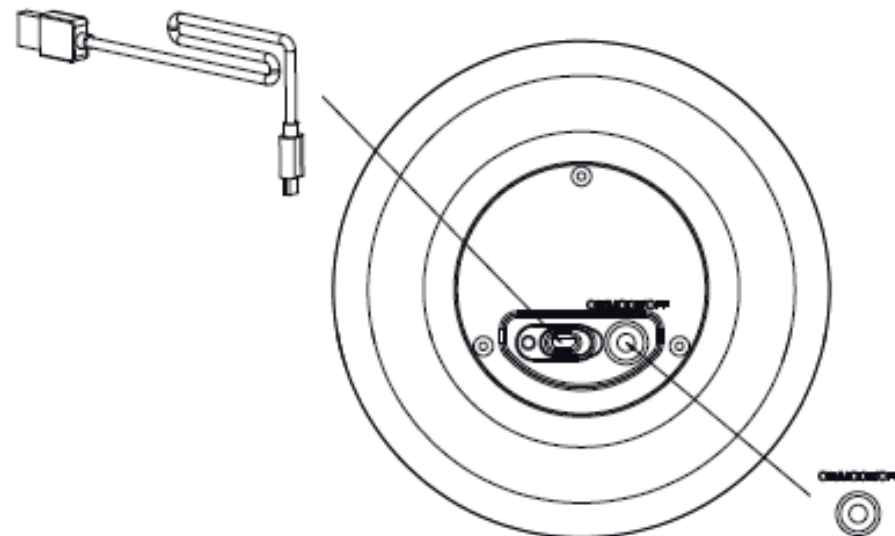


Assemble:



Use:

Built-in Li-ion battery 3.7V 2200 mAh
Inclusive charging cable
Micro USB (b) - USB (a)
Charging indicator:
charging: red
full: off
Burntime: 40 - 10 hours



Press 1 time: 25% / 50% / 100% light
Press 2 times: ON/OFF